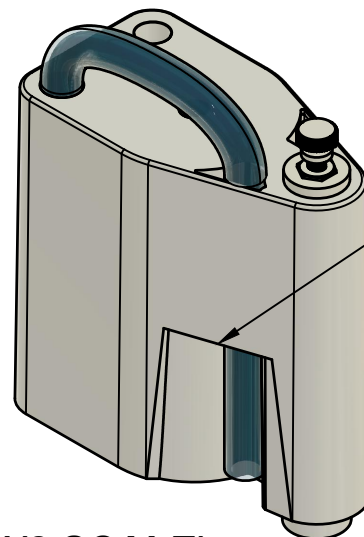
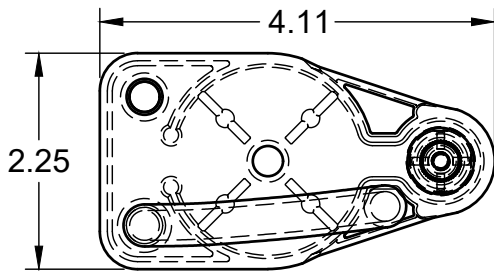


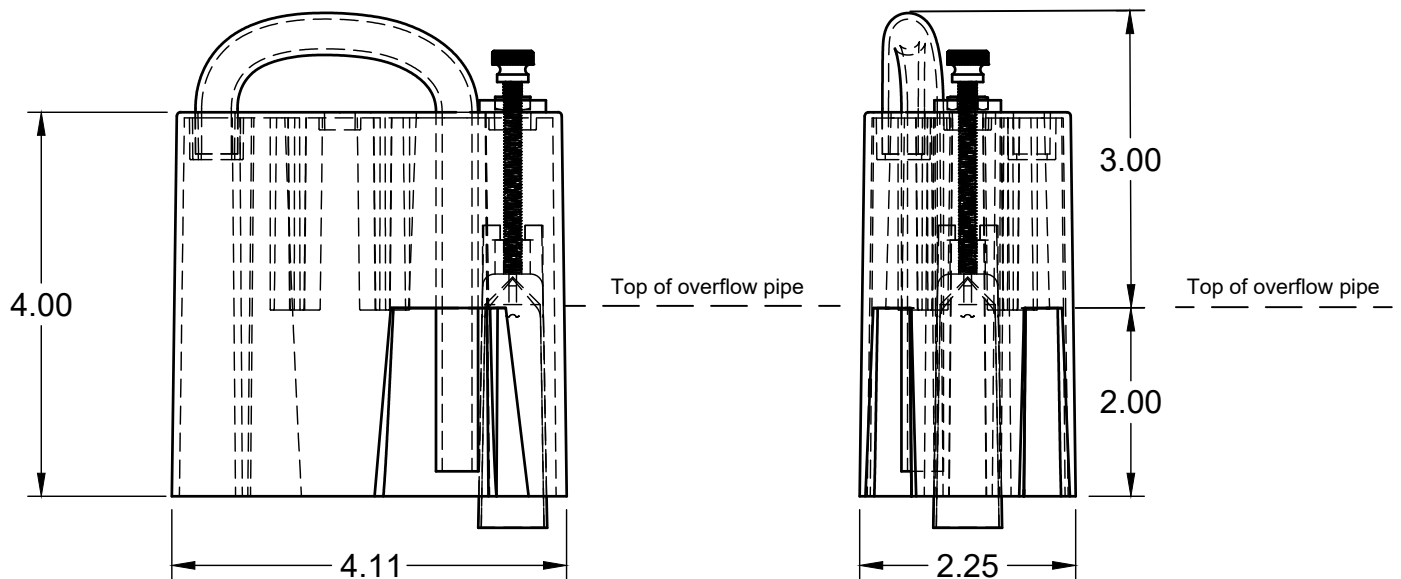
* Dimensions shown in inches

OVERFLOW PIPE INTAKE SHROUD - TOP VIEW (FULL SCALE)

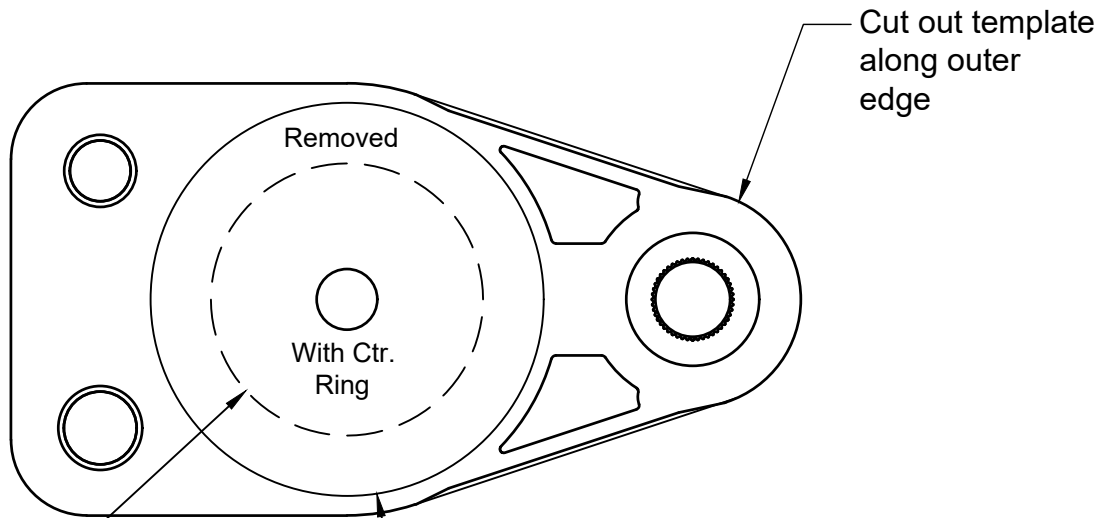


Edge feature aligns with top of overflow pipe

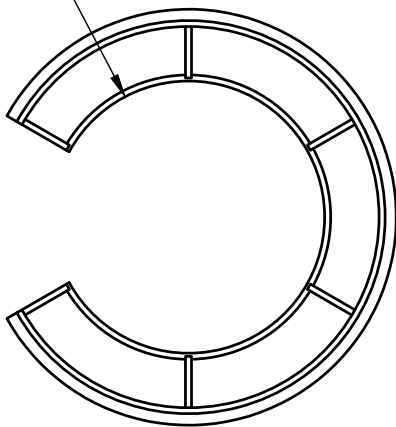
PROJECTED VIEW (1/2 SCALE)



INTAKE SHROUD FITMENT TEMPLATE - TOP VIEW (FULL SCALE)



Ø1.42

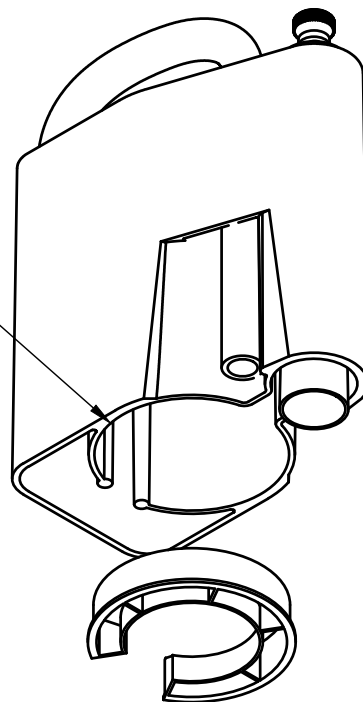


WITH CENTERING RING

The centering ring included with the standard overflow air intake shroud accepts overflow pipe openings up to 1.4" in diameter.

Position the template with the overflow pipe located inside the dashed circle.

Ø2.00



REMOVED

The centering ring can be removed for an oversized overflow pipe or for an off center installation.

Position the template with the overflow pipe located inside the solid line circle.