



Potty Sniffer QUICK START Instructions

Visit pottysniffer.com for the full Installation Guide.

Or e-mail us at info@pottysniffer.com or call 734-634-6582 (M-F: 9a-5p EST)



WARNING: Use the Potty Sniffer system or any of its components only in the manner intended. If you have any questions, please contact JEMSMART customer service.



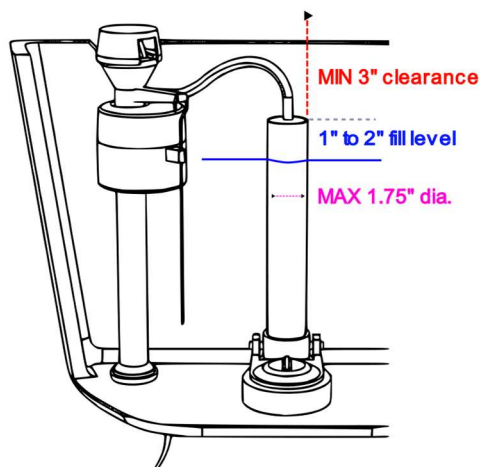
WARNING: Installation work and electrical wiring must be done by a qualified person(s) in accordance with all applicable codes and standards, including fire-rated construction codes and standards.



CAUTION: For general ventilating use only. Do not use to exhaust hazardous or explosive gases, vapors, or liquids.

Before Beginning Installation

- Confirm that there is enough space for an in-tank installation of the Sniffer pump OR if a remote pump install is required or preferred.
- If needed, adjust the water fill level of the tank to between 1" to 2" from the top of the overflow pipe
- Determine which exhaust method will be used
- Confirm 120VAC power outlet is available
- Confirm there is enough exhaust tubing, power and switch cable length available to perform the installation.



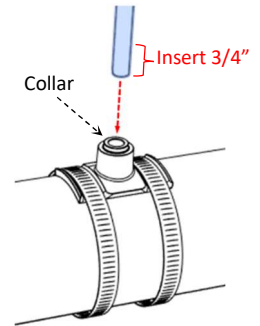
BASIC INSTALL TOOLS NEEDED

- Portable drill/driver
- 3/8" drill bit
- Flathead screwdriver
- Utility knife
- Mini flathead screwdriver <3mm

Push-To-Connect Tube Fittings

INSERT tubing firmly into the push-to-connect port. It should insert approximately 3/4", if done properly.

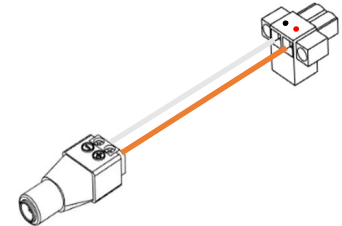
REMOVE tubing by pushing down on collar and pulling upwards on the tubing at the same time.



Air Exhaust and Main Power Connection

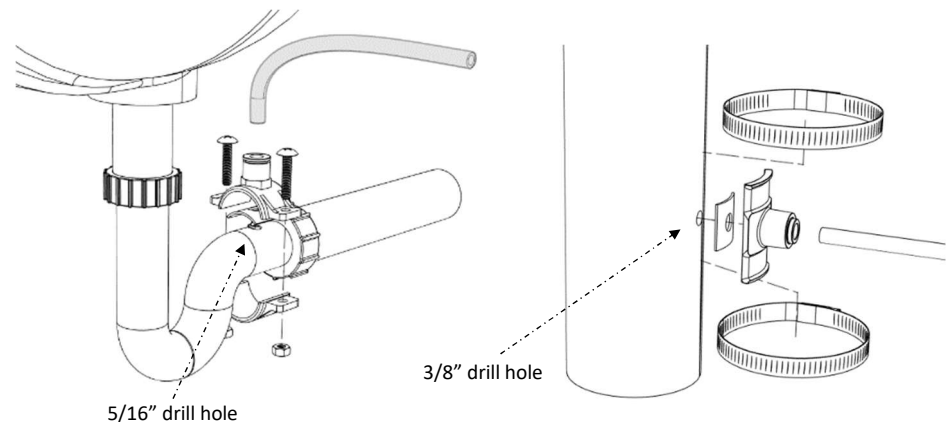
Route air exhaust tubing and power cable from the toilet tank to the selected air exhaust point and power outlet

For the main power cable, connect the copper-colored wire to +ve and the silver-colored wire to -ve terminals of the connectors.



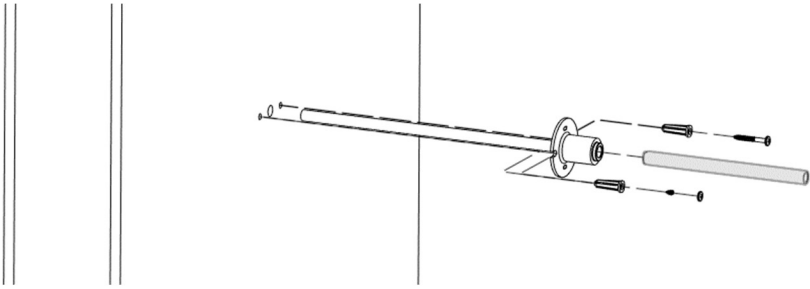
For SINK DRAIN AIR VENT SADDLE connections, install saddle downstream of P-trap on the top side of pipe.

For SANITARY PIPE AIR VENT SADDLE connections, install saddle on vertical pipe or top side of horizontal pipe.



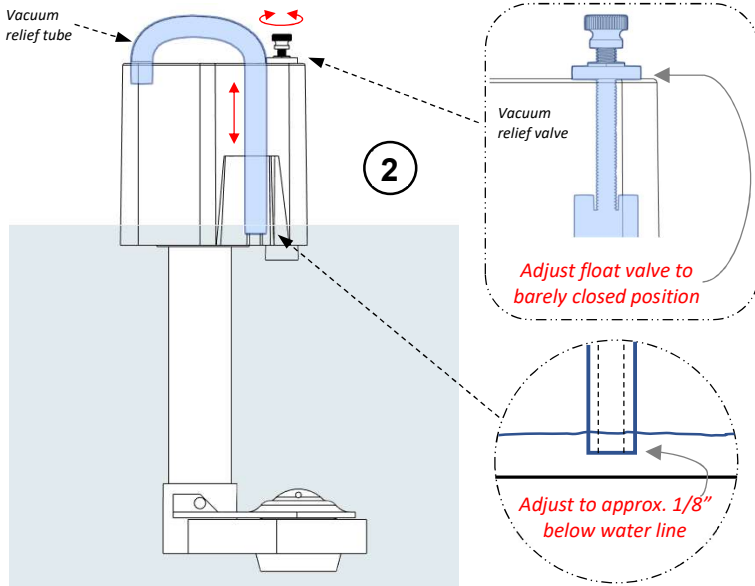
CONTINUED ON NEXT SIDE →

For THROUGH WALL AIR EXHAUST connections, use a 3/8" installers drill bit for the wall penetration. Trim extension pipe to the required length (plus 1/2" stick out).



Main Installation Steps

1. Remove original refill tube from the clip or socket holder at the overflow pipe
2. Install the air intake manifold onto the overflow pipe and adjust the vacuum relief tube and the float valve cover/nut – see diagram below



3. Install Sniffer pump into the toilet tank. Position for best fit. Use 2 clips if possible, but 1 clip is acceptable.

NOTE: The pump may float slightly if it is partially submerged, but this is OK. It will be positioned more securely once hoses are attached and the toilet tank lid is closed.

4. Install the new refill tube included with the intake manifold assembly onto the original clip or socket holder and re-attach to the top of the overflow pipe.
5. Slide the intake shroud down the refill tube and onto the overflow pipe and set the orientation of the shroud for best fit.

The centering ring (optional) may be installed if needed for better fitment with a small diameter overflow pipe.

6. Connect the new refill tube to the original refill tube using the 3/16" hose barb or connect directly to the fill valve outlet port
7. Install the pushbutton switch assembly.
8. Complete tubing and electrical connections and plug in the power supply. Install the tank cover lid spacers to provide a passthrough gap, if needed.
9. Start the Sniffer pump and perform a flush test to ensure that no water is sucked into the pump during the cycle. Make any necessary adjustments.

