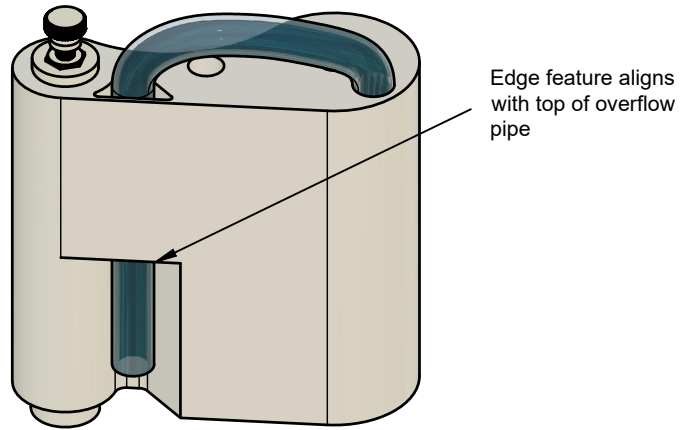
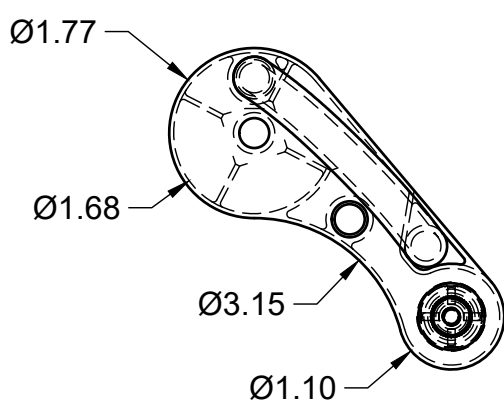
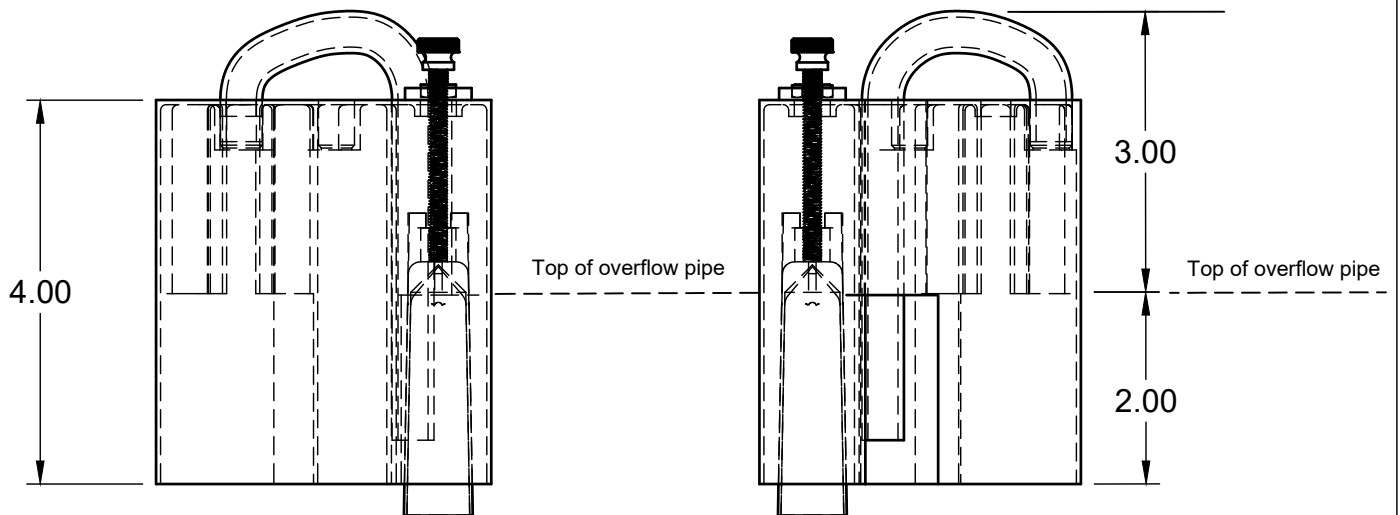


* Dimensions shown in inches

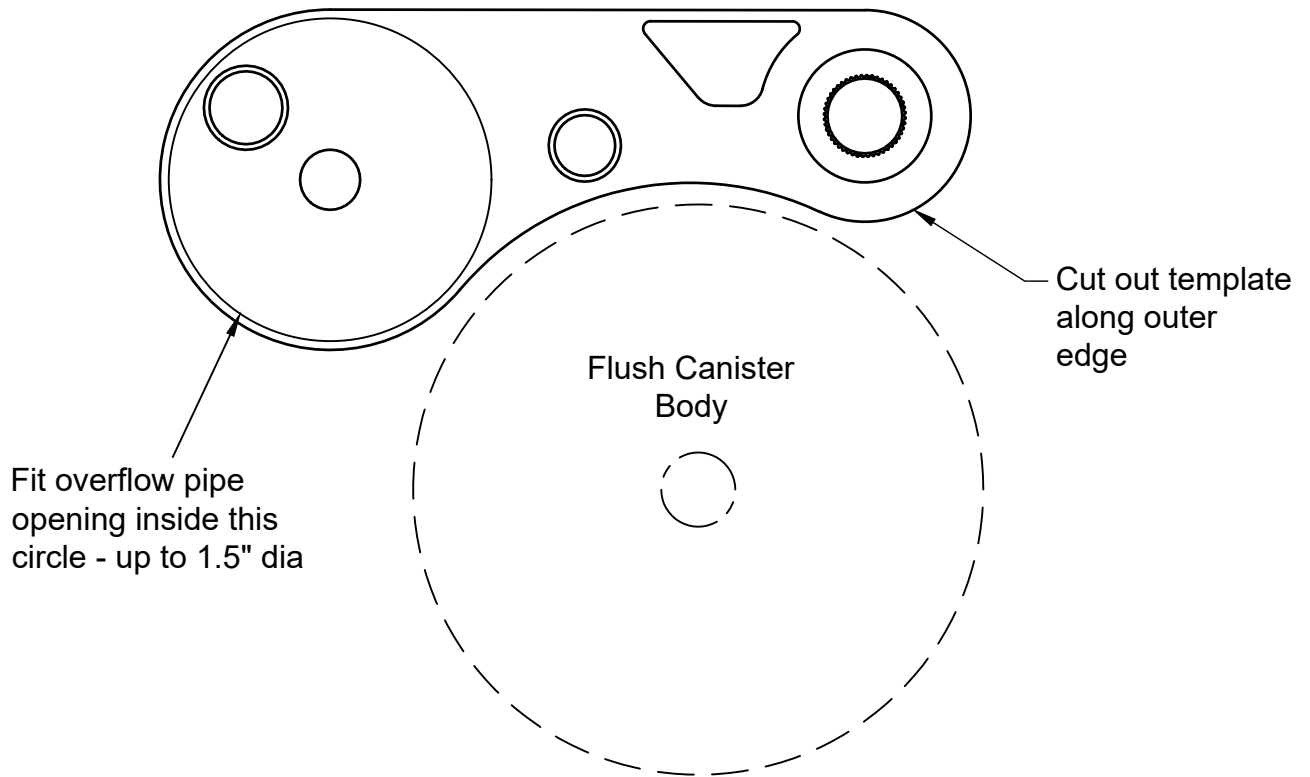
DUAL FLUSH INTAKE SHROUD - TOP VIEW (FULL SCALE)



PROJECTED VIEW (1/2 SCALE)



INTAKE SHROUD FITMENT TEMPLATE - TOP VIEW (FULL SCALE)



The dual flush style air intake shroud accepts overflow pipe openings up to 1.5" in diameter.

Position the template with the overflow pipe located inside the solid lined circle.